

"DRD" Series Connector, Right Angle, P.C.B. Mount



Materials

Contact:

Phosphor Bronze, CDA-510

Insulator:

Polyester, Glass-filled,
UL-94V-0, Black

Shell:

Steel

Grounding:

Steel

Finishes

Contact:

Selective Au plating over
50 uinches Ni undercoat
on mating area, with
150 uinches Sn/Pb (90/10)
on termination area.

Code A Plating:

Au flash

Code B Plating:

20 uinches Au

Shell:

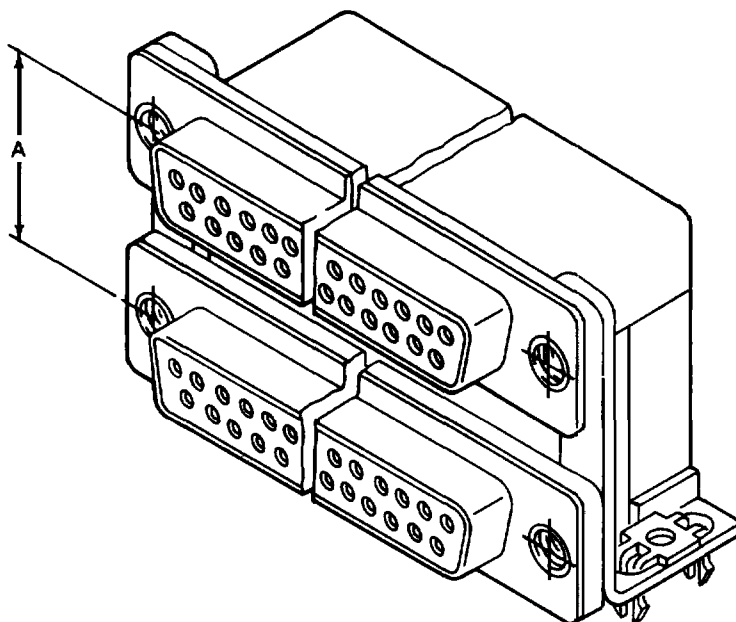
150 uinches bright tin.

Grounding:

150 uinches bright tin.

Notes

Consult our factory
specialists for your
specific design needs.



TOP / BOTTOM	CENTERLINE DIMENSION	PLATING CODE	GROUNDING TYPE
	A		THROUGH HOOK
RRD 9F/RRD 9M	.625	A	303-311-112
	[15.88]	B	303-311-212
RRD 9M/RRD 9M	.750	A	303-012-102
	[19.05]	B	303-012-202
RRD 15F/HRRD 15F	.550	A	303-154-129
	[13.97]	B	303-154-229
RRD 9F/HRRD 15F	.750	A	303-152-112
	[19.05]	B	303-152-212
RRD 15F/CMD 13W3F	.750	A	303-162-127
	[19.05]	B	303-162-227
RRD 25M/RRD25M	.750	A	303-032-102
	[19.05]	B	303-032-202
RRD 25M/RRD 25F	.750	A	303-232-102
	[19.05]	B	303-232-202
RRD 25F/RRD 25M	.750	A	303-332-102
	[19.05]	B	303-332-202
RRD 25F/RRD 25F	.750	A	303-132-102
	[19.05]	B	303-132-202
RRD 25F/RRD 25F	.900	A	303-133-102
	[22.86]	B	303-133-202
RRD 25F/SCSI II 50F	.815	A	303-105-137
	[20.70]	B	303-105-237
RRD25F/RRD37F	.625	A	303-141-132
	[15.88]	B	303-141-232
RRD 37F/RRD37F	.750	A	303-142-142
	[19.05]	B	303-142-242